

HARRIMAN

AUBURN PORTLAND MANCHESTER

HARTT TRANSPORTATION

Auburn, ME

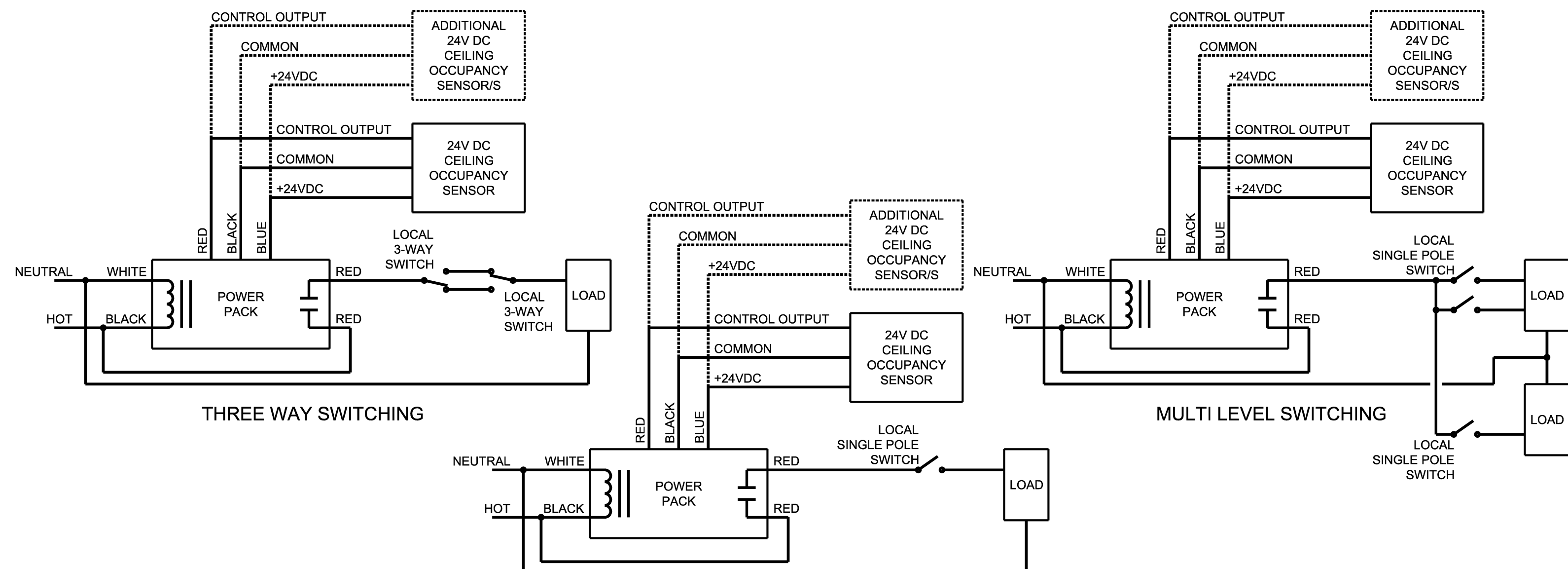
Harriman Project No. 14507

Key Plan Proj North

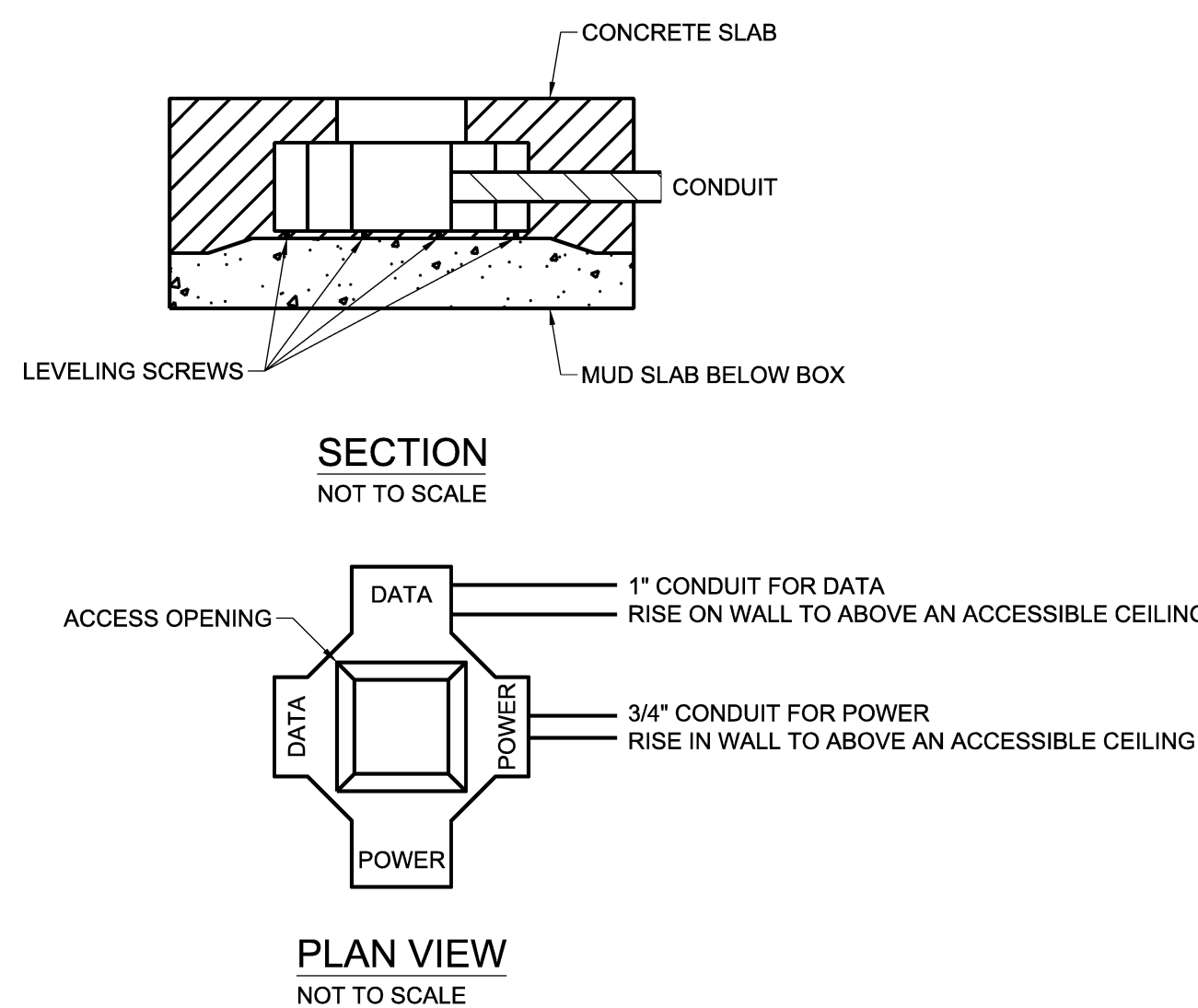


6 NOT USED  
SCALE: NO SCALE

7 OCCUPANCY SENSOR CONTROL DETAIL  
SCALE: NO SCALE

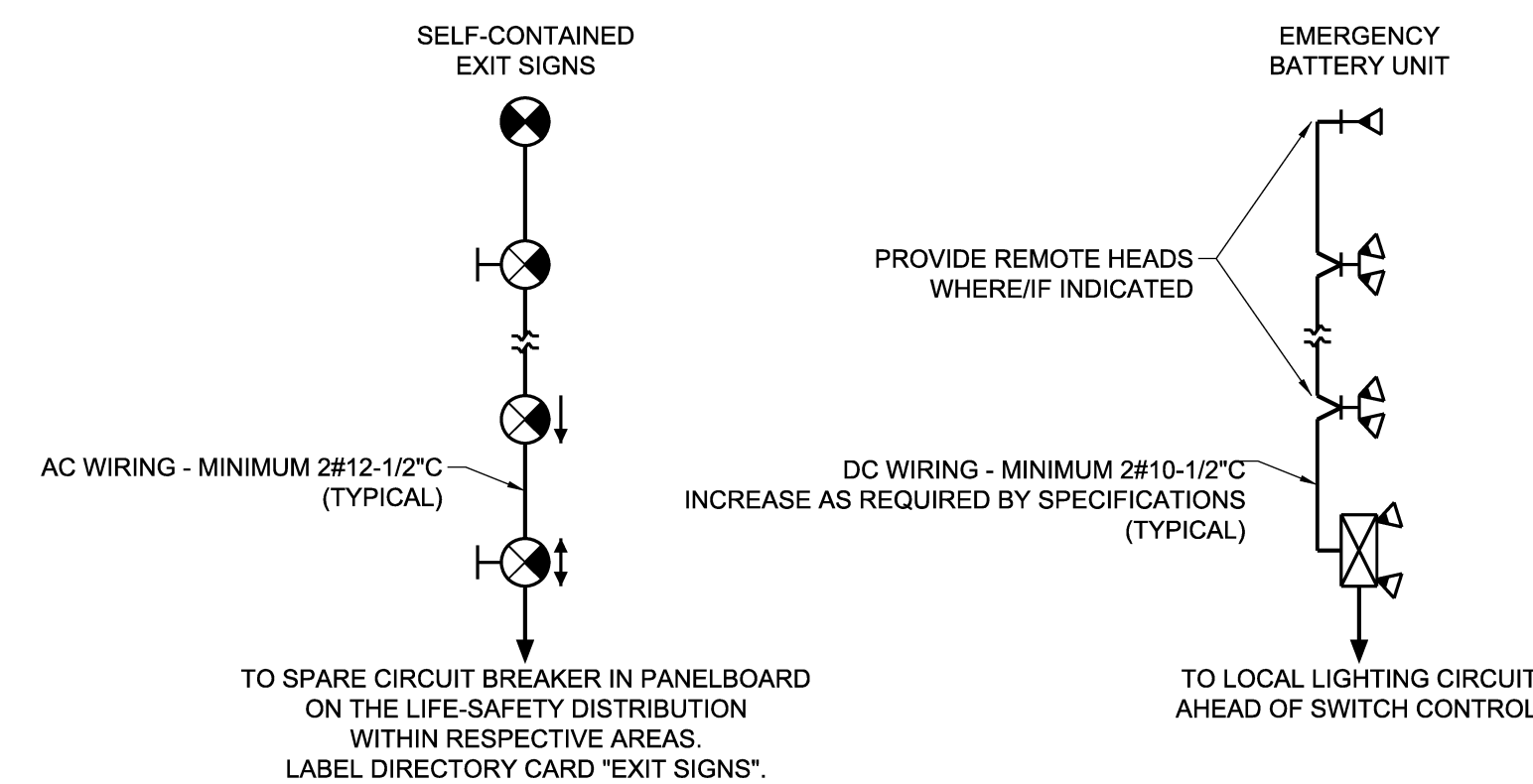
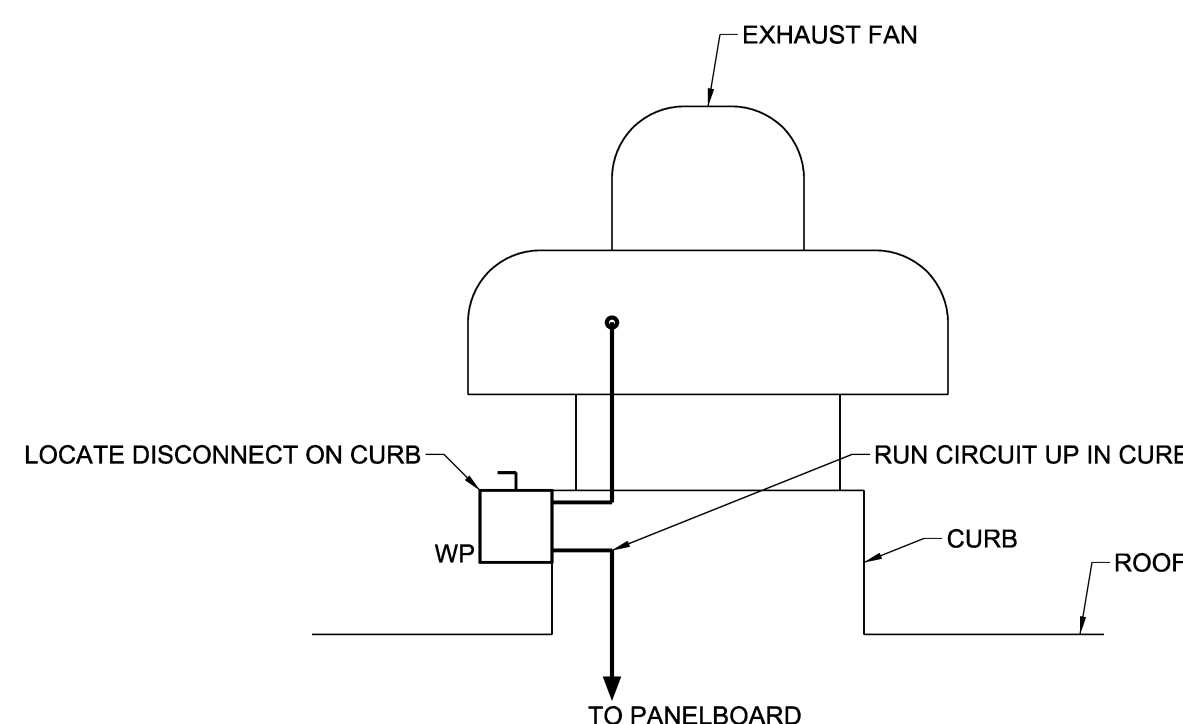


NOTE:  
QUANTITY AND LOCATION OF DEVICES AS INDICATED  
ON PLANS. WIRE POWER PACK TO CIRCUIT INDICATED  
ON PLAN DRAWINGS.



3 FLUSH FLOOR REACH-IN DEVICE BOX  
SCALE: NO SCALE

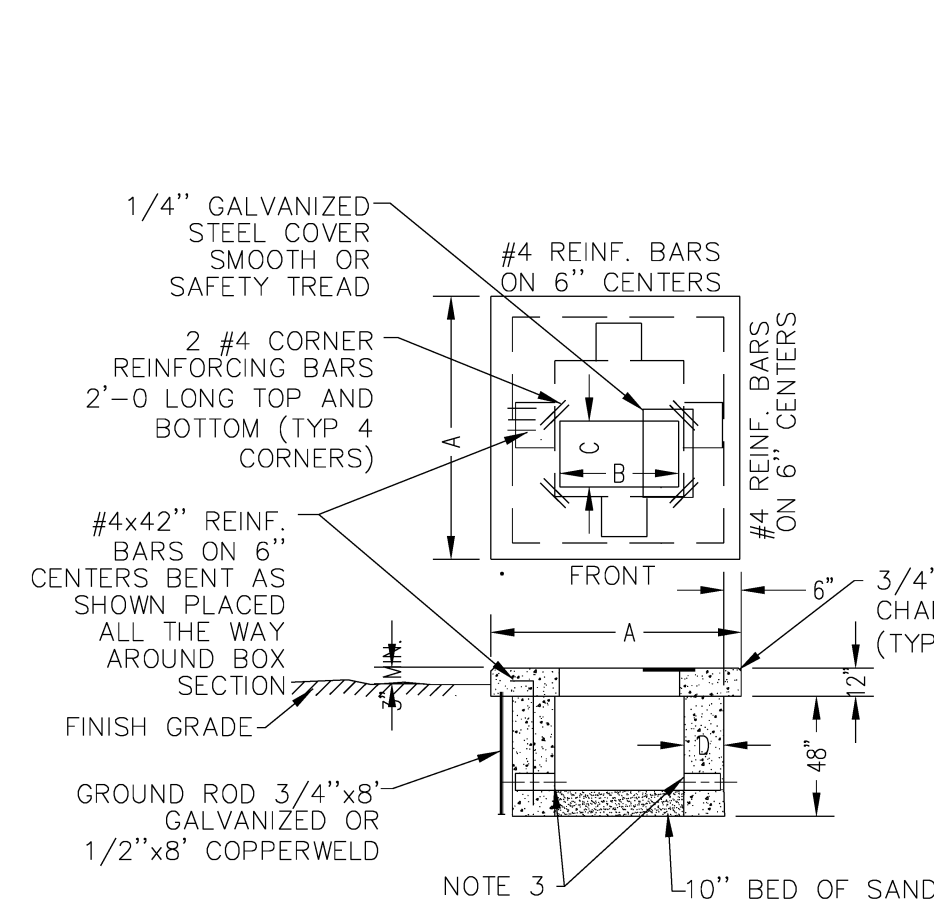
4 TYPICAL ROOF MOUNTED EF CONNECTION  
SCALE: NO SCALE



5 EXIT SIGN AND EMERGENCY BATTERY UNIT WIRING  
SCALE: NO SCALE

REGIONAL ELECTRIC LLC  
Design Installations Service  
207 795-7800

Issues and Revisions table with columns for Mark, Date, and Description.

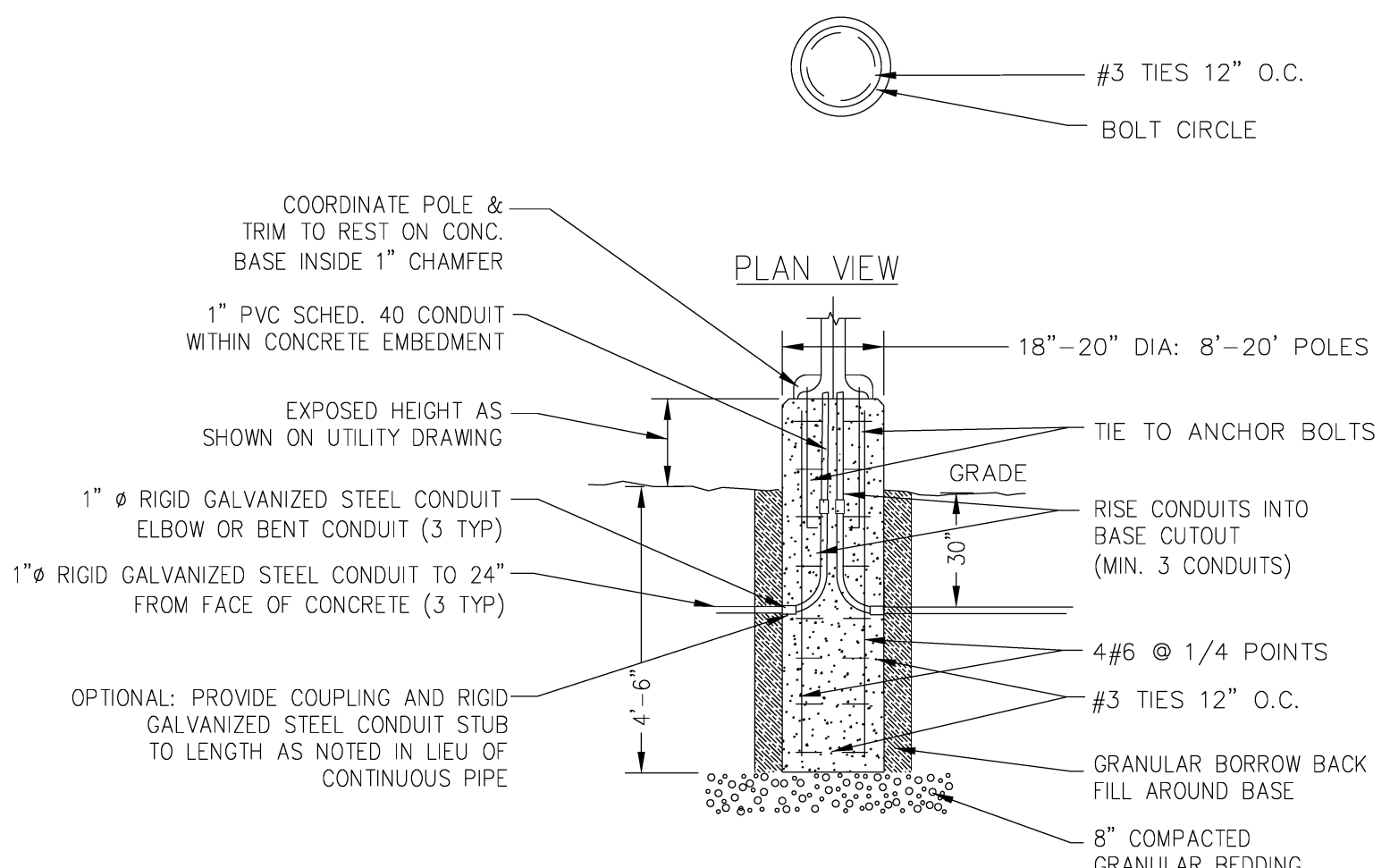


- 1. SET CONCRETE BOX PAD ON SUITABLE GRAVEL BASE AND PROVIDE ADEQUATE DRAINAGE AWAY FROM PAD. REINFORCE AS SHOWN. LOCATION TO BE ACCESSIBLE BY TRUCK AND SUITABLY PROTECTED FROM PLOW AND TRAFFIC DAMAGE.
2. "FRONT" DENOTES THE SIDE ON WHICH THE ACCESS DOORS ARE LOCATED. THE PAD MUST BE INSTALLED SO THAT THE FRONT IS READILY ACCESSIBLE.
3. PROVIDE 8" X 12" CABLE HOLES- ONE PER WALL OR MORE IF NEEDED. LINE UP WITH TRENCHES. HOLES MAY EXTEND TO BOTTOM OF WALLS.
4. PROVIDE REMOVABLE STEEL COVER, SET FLUSH WITH TOP OF CONCRETE- WITH MINIMUM OF 2" BEARING ON REAR EDGE AND ENDS.
5. INSTALL GROUND ROD 6" IN FRONT OF LEFT FRONT CORNER OF PAD. TOP OF GROUND ROD TO BE 6" BELOW FINAL GRADE.
6. COORDINATE AND VERIFY ALL INFORMATION WITH THE LOCAL ELECTRICAL POWER UTILITY COMPANY.

Table with columns: KVA, KV, A, B, C, D, STEEL COVER. Rows show specifications for different KVA ratings.

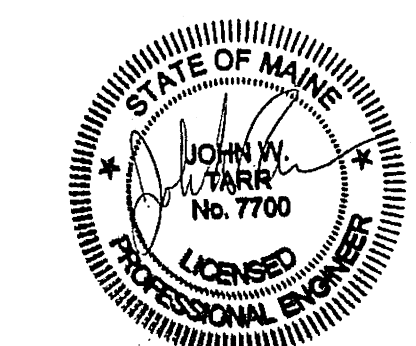
NOTES

- 1. NUMBER AND SIZE OF REBARS INDICATED ARE MINIMUM. EXACT SPACING SHALL BE COORDINATED WITH MANUFACTURERS SHOP DRAWINGS.
2. DEPTH OF BASE INDICATED IS MINIMUM.
3. BOLT CIRCLE AND OTHER EMBEDDED ITEMS TO BE COORDINATED WITH ELECTRICAL CONTRACTOR AND LIGHT POLE MANUFACTURER.



2 PRECAST CONCRETE LIGHT POLE BASE  
SCALE: NO SCALE

1 PRECAST TRANSFORMER PAD  
SCALE: NO SCALE



Drawing Scales table and PA/PE/Drawn By information.

DETAILS

E70.1