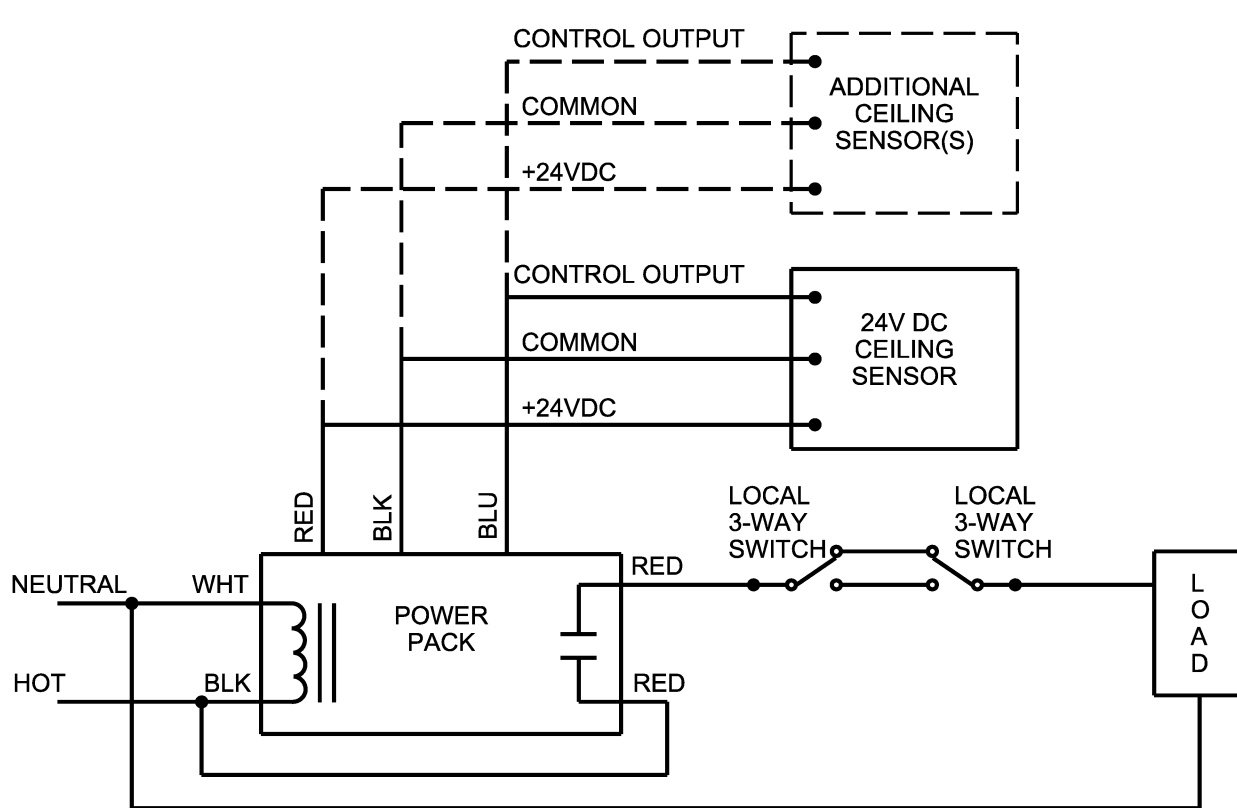


MOUNTING: SURFACE LOCATION: ELEGT 902

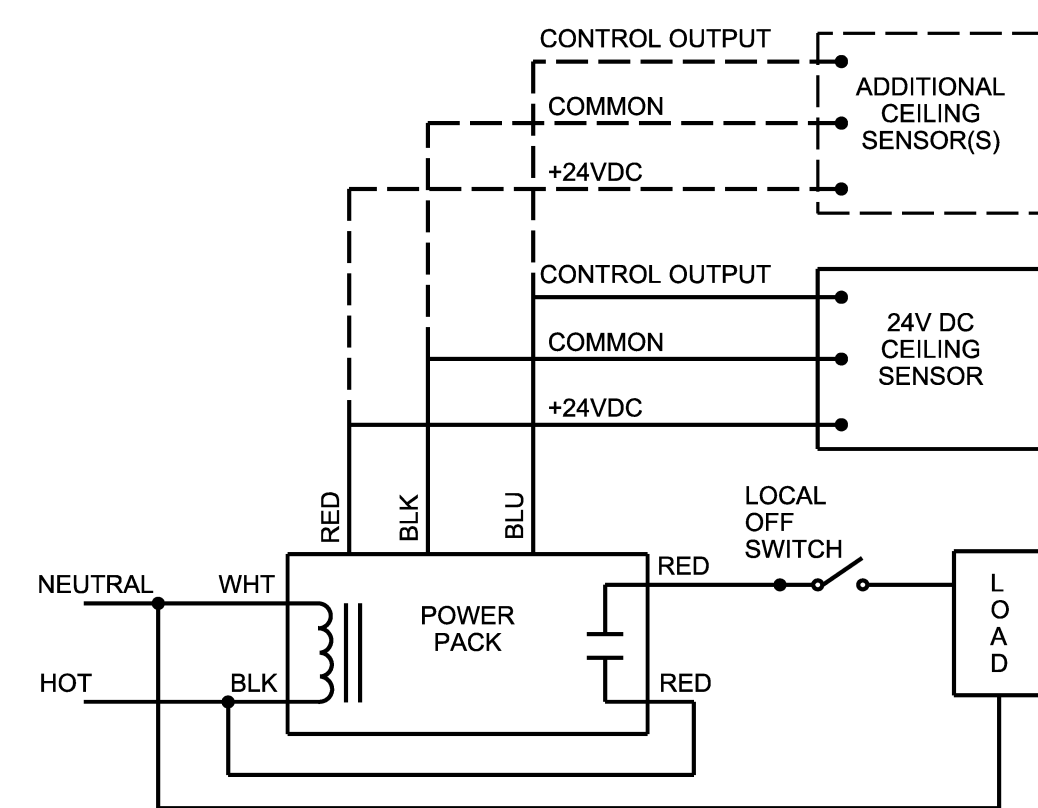
LOW VOLTAGE LIGHTING RELAY PANEL SCHEDULE - LCP

RELAY #	AREA CONTROLLED	FED FROM PANEL	U.L. 924 RELAY	SCHEDULE (PROGRAMMING)	REMARKS
a1	EXTERIOR LIGHTING - BUILDING	A-6	NO	TIME ON/OFF AS DIRECTED BY OWNER - SLV OVERRIDE ON/OFF	-
a2	EXTERIOR LIGHTING - POLE	A-6	NO	TIME ON/OFF AS DIRECTED BY OWNER - SLV OVERRIDE ON/OFF	-
a3	EXTERIOR LIGHTING - SIGN	A-6	NO	TIME ON/OFF AS DIRECTED BY OWNER - SLV OVERRIDE ON/OFF	-
a4	EXTERIOR LIGHTING - FLAG	A-6	NO	TIME ON/OFF AS DIRECTED BY OWNER - SLV OVERRIDE ON/OFF	-
a5	SPARE	-	-	-	-
a6	SPARE	-	-	-	-
a7	SPARE	-	-	-	-
a8	SPARE	-	-	-	-
a9	SPARE	-	-	-	-
a10	SPARE	-	-	-	-
a11	SPARE	-	-	-	-
a12	SPARE	-	-	-	-
a13	SPARE	-	-	-	-
a14	SPARE	-	-	-	-
a15	SPARE	-	-	-	-
a16	SPACE	-	-	-	-
a17	SPACE	-	-	-	-
a18	SPACE	-	-	-	-
a19	SPACE	-	-	-	-
a20	SPACE	-	-	-	-
a21	SPACE	-	-	-	-
a22	SPACE	-	-	-	-
a23	SPACE	-	-	-	-
a24	SPACE	-	-	-	-

5 LIGHTING CONTROL DETAIL
SCALE: NO SCALE



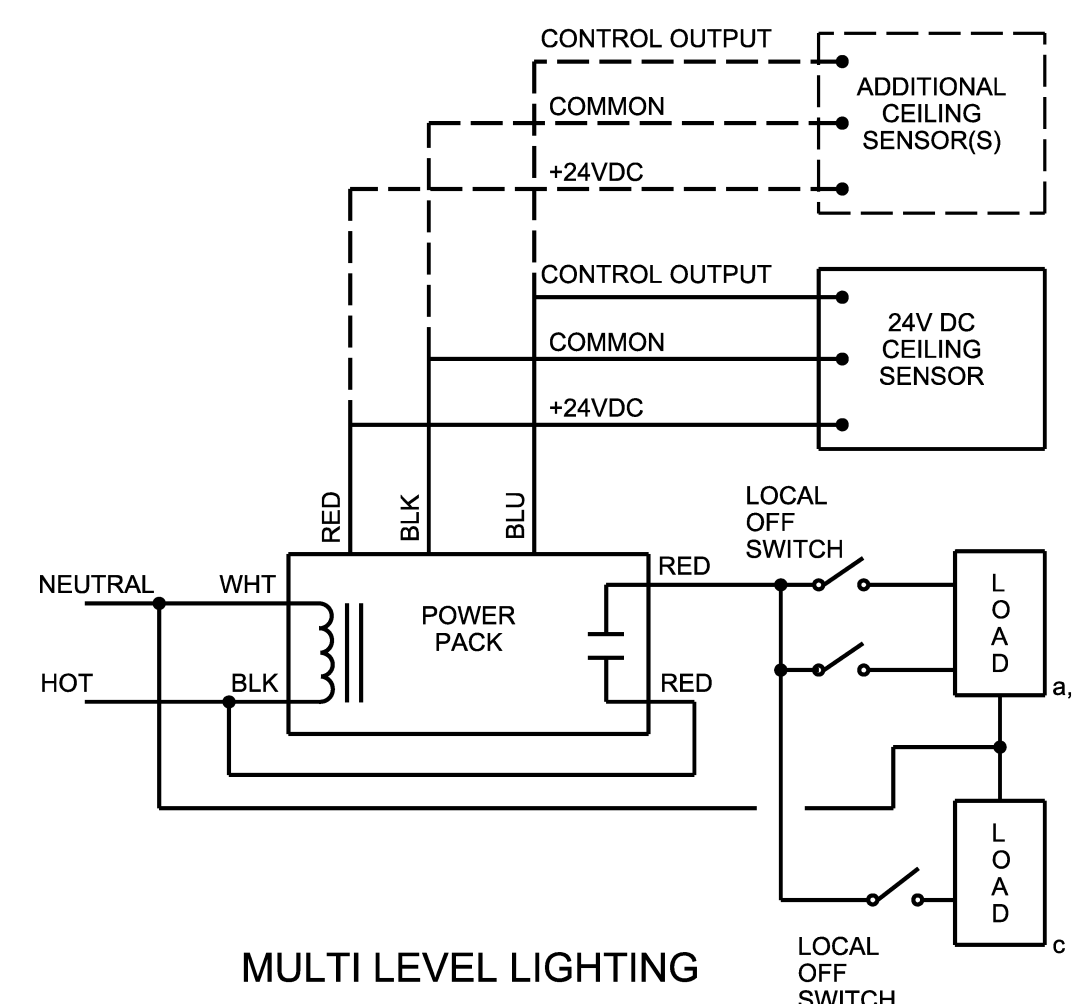
THREE WAY SWITCHING



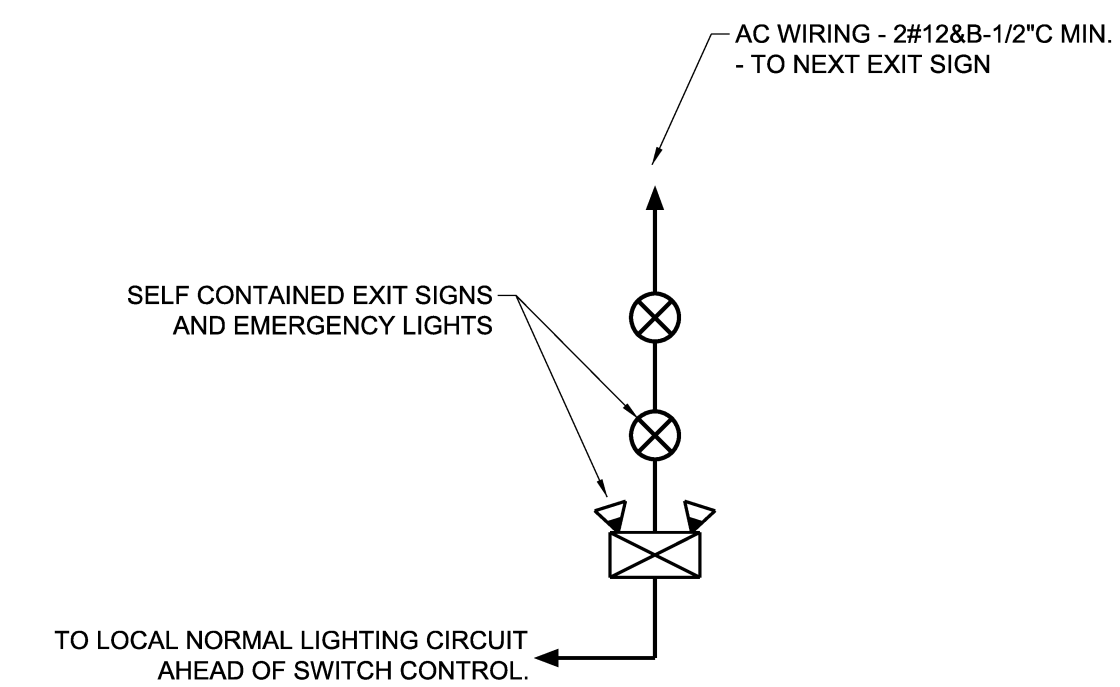
MULTI LEVEL LIGHTING

NOTE: QUANTITY, AND LOCATION OF SWITCHES AS SHOWN ON FLOOR PLAN DRAWINGS. WIRE POWER PACK TO CIRCUIT INDICATED ON FLOOR PLANS.

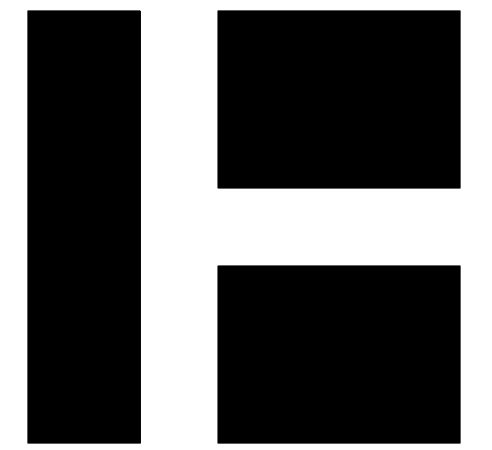
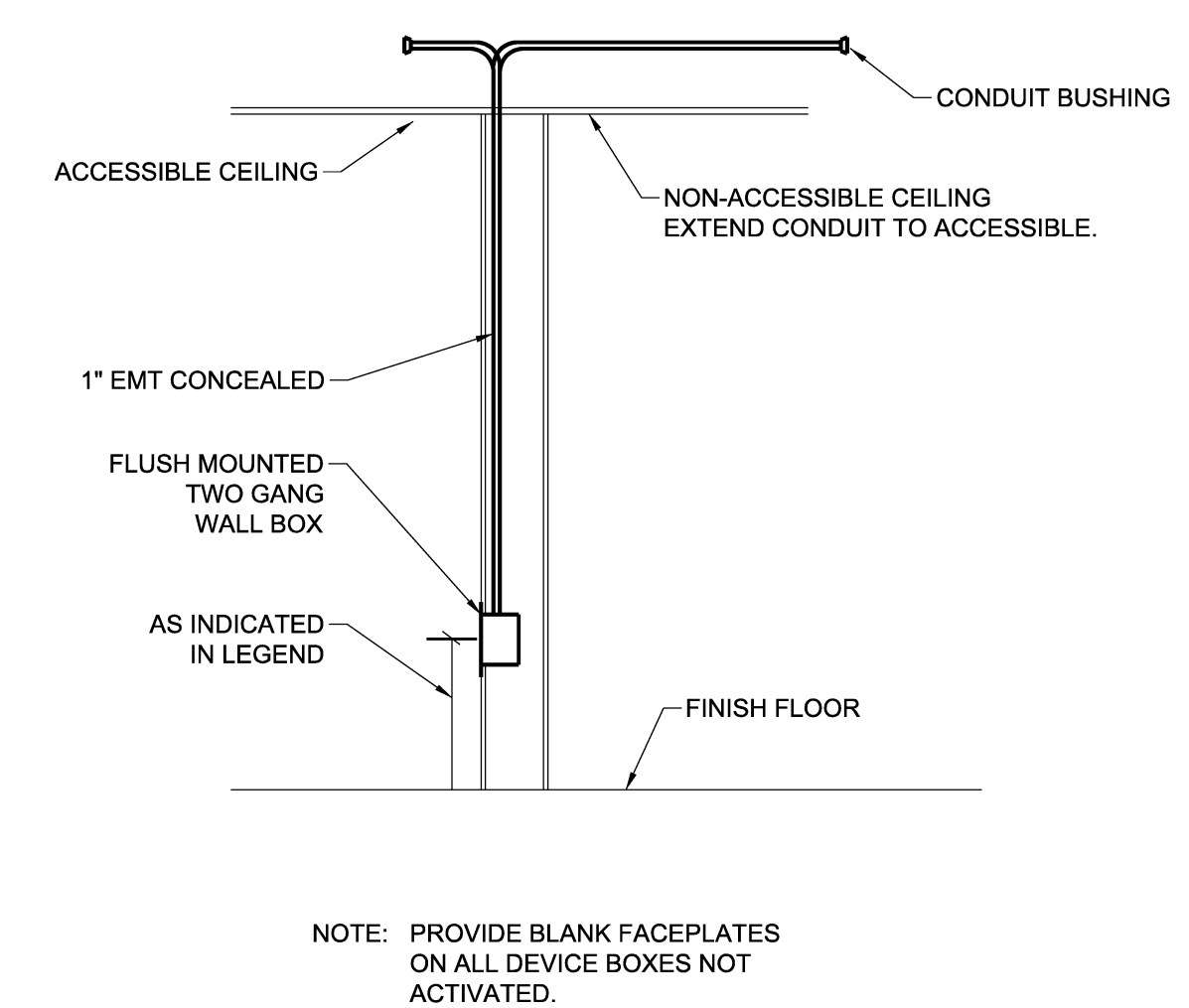
2 OCCUPANCY SENSOR DETAIL
SCALE: NO SCALE



3 EMERGENCY LIGHTING/EXIT SIGN WIRING
SCALE: NO SCALE



1 VOICE/DATA DETAIL
SCALE: NO SCALE



HARRIMAN

AUBURN PORTLAND MANCHESTER

RENOVATIONS
FOR
ALERE

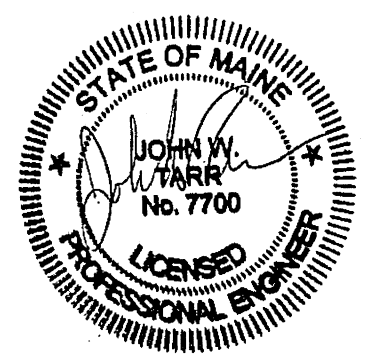
SCARBOROUGH, ME

Harriman Project No. 15605

Key Plan Proj North



Mark	Date	Description
-	02-04-16	CONSTRUCTION DOCUMENTS



Drawing Scales

PA / PE: JWT © 2016
Drawn By: BSO Harriman Associates

ELECTRICAL
DETAILS

E70.1