

HARRIMAN

AUBURN PORTLAND MANCHESTER

RENOVATIONS FOR ALERE

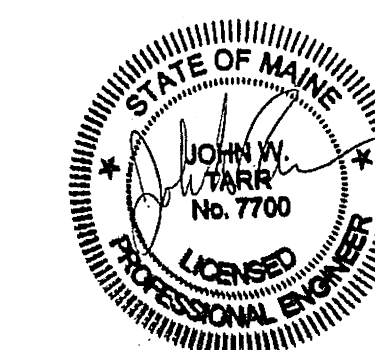
SCARBOROUGH, ME

Harriman Project No. 15605

Key Plan Proj North



Mark	Date	Description
--	01-14-16	PLANNING BOARD SUBMISSION
--	02-04-16	CONSTRUCTION DOCUMENTS

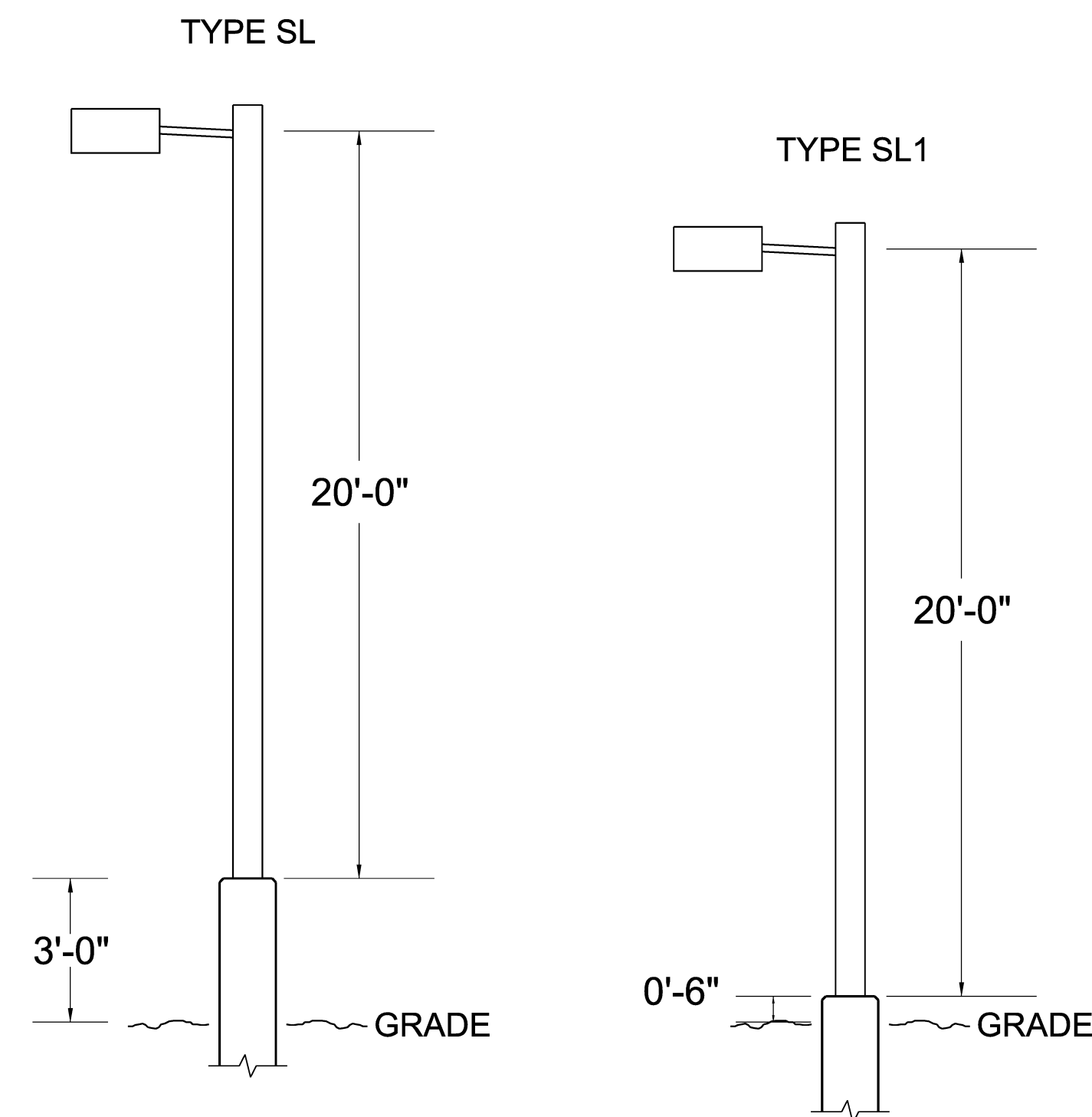


Drawing Scales

PA / PE: JWT © 2016
 Drawn By: BSO Harriman Associates

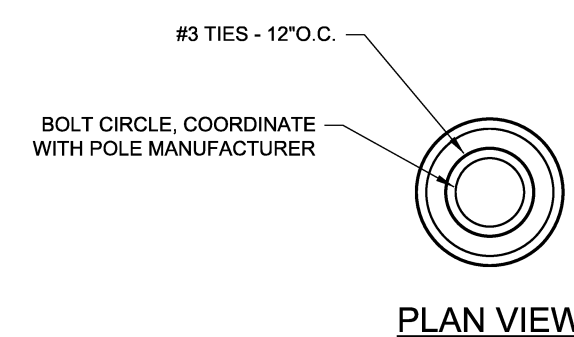
ELECTRICAL SITE PLAN

ES10.1



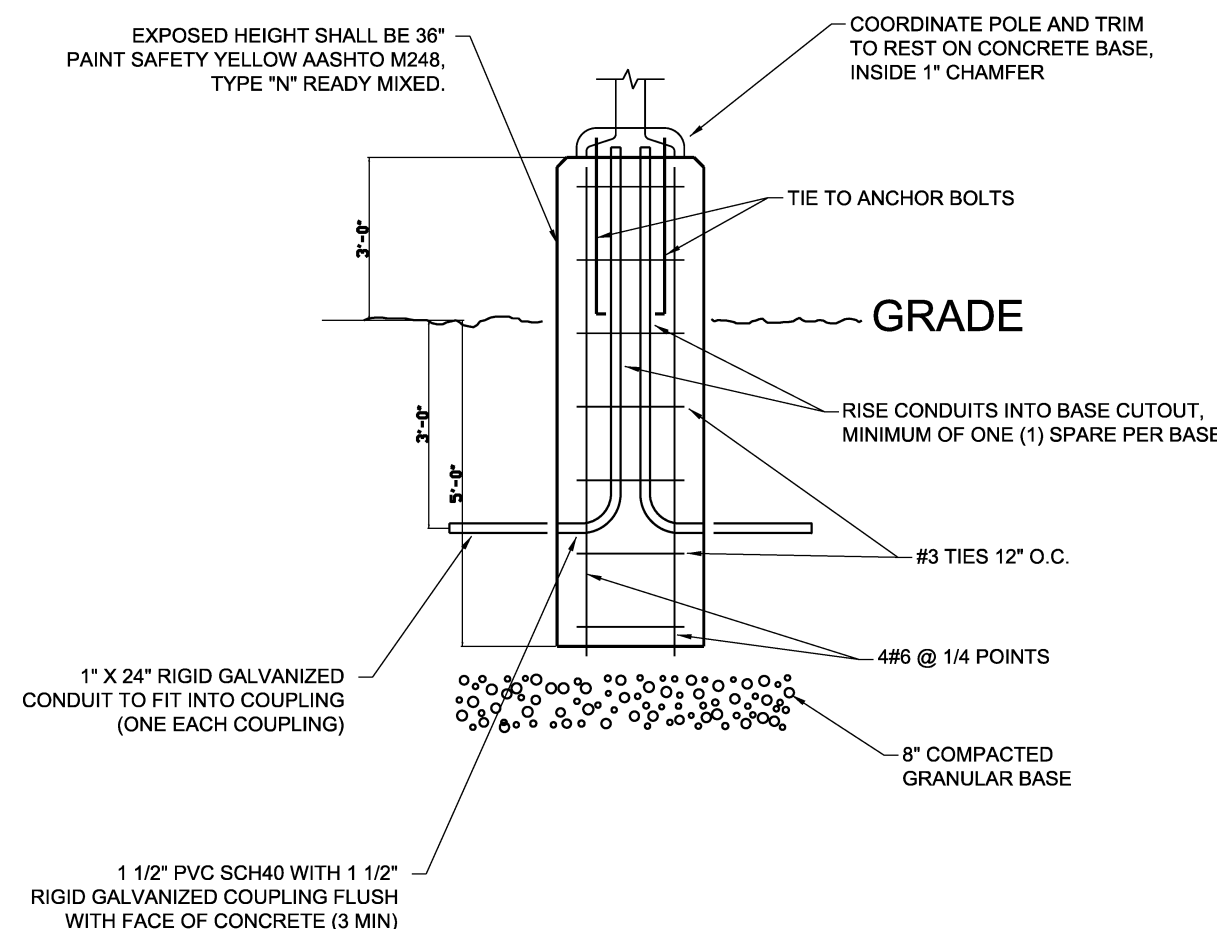
4 LIGHT POLE AND POLE BASE DIMENSIONS

SCALE: NO SCALE



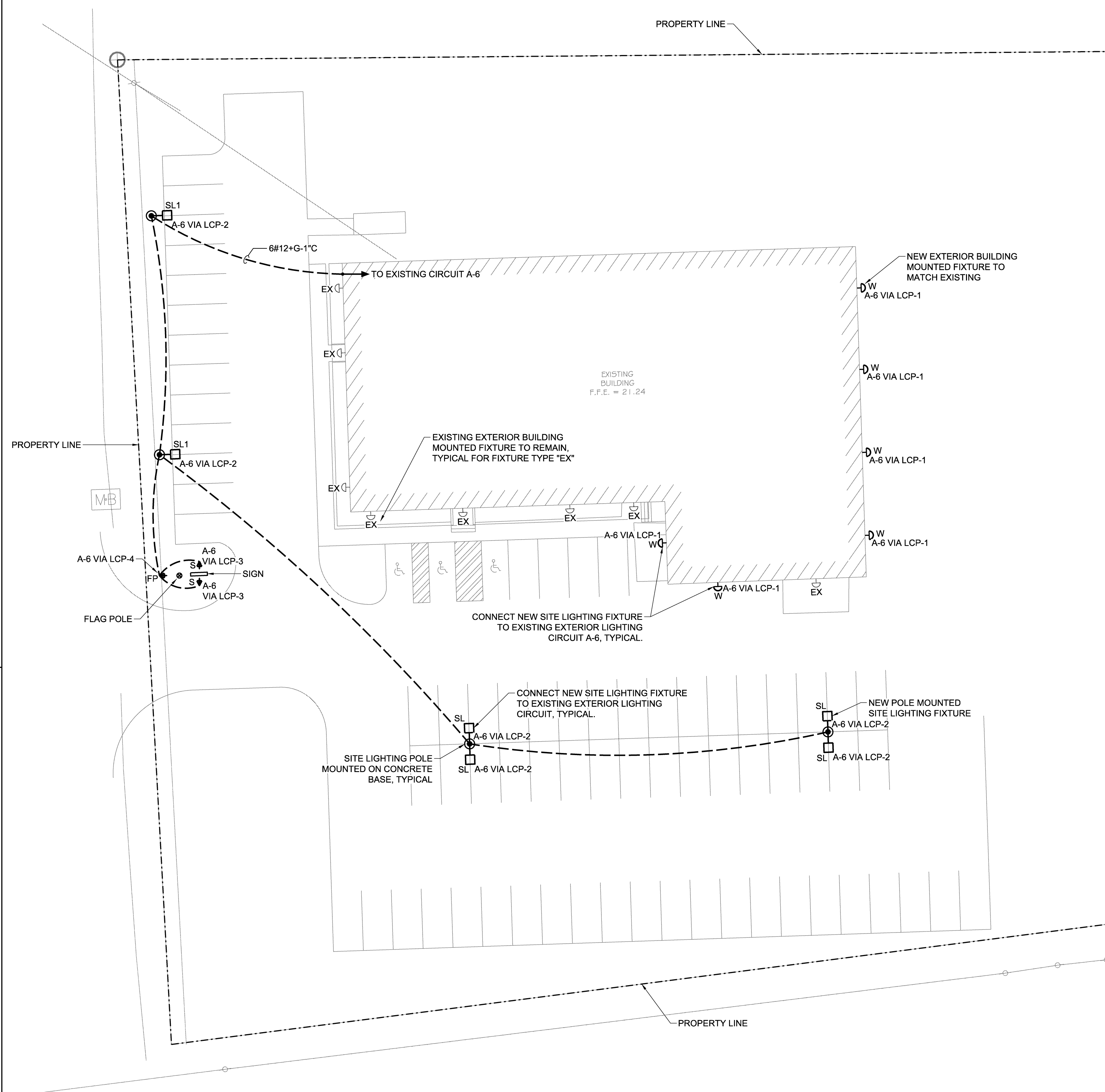
NOTES

- NUMBER AND SIZE OF REBARS INDICATED ARE MINIMUM. EXACT SPACING SHALL BE COORDINATED WITH MANUFACTURERS SHOPS.
- DEPTH OF BASE INDICATED IS MINIMUM.
- BOLT CIRCLE AND OTHER EMBEDDED ITEMS SHALL BE COORDINATED WITH ELECTRICAL CONTRACTOR AND LIGHT POLE MANUFACTURER.
- CONCRETE SHALL BE 4000 PSI.



3 PRECAST CONCRETE LIGHT POLE BASE

SCALE: NO SCALE



2 SITE PLAN

SCALE: 1" = 20'

LIGHTING FIXTURE SCHEDULE							
ALL FIXTURES SHALL BE FURNISHED COMPLETE WITH ALL HARDWARE LAMPS, HANGERS, FITTINGS, ETC. FOR A COMPLETE AND PROPER INSTALLATION							
TYPE	MANUFACTURER	CATALOG NO.	MTG.	VOLT	LAMPS		REMARKS/BALLAST INFORMATION
					NO.	WATT	
EX	EXISTING BUILDING MOUNTED EXTERIOR FIXTURE						
	MCGRAW-EDISON	ISS IMPACT ELITE SERIES	S			LED	
FP	FLAG POLE LIGHT						
	LITHONIA	DSXF1-2-A53040K-MSP-MVOLT-THK-DOBXD	G	MVOLT	LED	37	LED
S	SIGN LIGHTING						
	LITHONIA	DSXF1-1-A53040K-MFL-MVOLT-THK-DOBXD	G	MVOLT	LED	19	LED
W	BUILDING MOUNTED EXTERIOR FIXTURE						
	MCGRAW EDISON	ISS-E02-LED-E1-BL3-BZ-P	S	MVOLT	LED	52	LED
							COORDINATE EXACT MOUNTING HEIGHT TO MATCH EXISTING.

LIGHTING FIXTURE SCHEDULE							
ALL FIXTURES SHALL BE FURNISHED COMPLETE WITH ALL HARDWARE LAMPS, HANGERS, FITTINGS, ETC. FOR A COMPLETE AND PROPER INSTALLATION							
TYPE	MANUFACTURER	CATALOG NO.	MTG.	VOLT	LAMPS		REMARKS/BALLAST INFORMATION
					NO.	WATT	
SL	SITE LIGHT WITH TWO HEADS (LED TYPE V DISTRIBUTION) ON ARMS 180 DEG APART - 20' SQUARE STRAIGHT STEEL POLE						
	LITHONIA	KAD-LED-30C-700-40K-R5-MVOLT-SPD-06-DOBXD				LED	
	APPROVED EQUAL	POLE: SEE REMARKS					PROVIDE 9" SQ 20' STRAIGHT SQUARE STEEL POLE AND ARM. POLE SHALL ACCEPT THREE 1" CONDUITS. POLE COLOR SHALL MATCH FIXTURE COLOR. POLE SHALL BE RATED FOR FIXTURE EPA RATING WITH 100MPH WIND. PROVIDE POLE BASE COVER. PROVIDE GROUT BETWEEN POLE BASE AND POLE. 69 INPUT WATTS PER HEAD (138W TOTAL).
SL1	SITE LIGHT WITH SINGLE HEAD (LED TYPE III DISTRIBUTION) - FULL CUTOFF LUMINAIRE - 20' SQUARE STRAIGHT STEEL POLE						
	LITHONIA	KAD-LED-30C-700-40K-R3-MVOLT-SPD-06-DOBXD				LED	
	APPROVED EQUAL	POLE: SEE REMARKS					PROVIDE 9" SQ 20' STRAIGHT SQUARE STEEL POLE AND ARM. POLE SHALL ACCEPT THREE 1" CONDUITS. POLE COLOR SHALL MATCH FIXTURE COLOR. POLE SHALL BE RATED FOR FIXTURE EPA RATING WITH 100MPH WIND. PROVIDE POLE BASE COVER. PROVIDE GROUT BETWEEN POLE BASE AND POLE.

1 EXTERIOR LIGHTING FIXTURE SCHEDULE

SCALE: NO SCALE